



New Arrival

Slim Edge Series by Canter Design®

SE-SW-PV45

Slim Edge Swing Door

Slim edge swing doors with **minimum** gaps and **maximum** visual area.

This pivot system carry doors weight up to **80kg** with smooth operation bearings. Made with high austenitic stainless steel.

Applicable in **most places**, existing or new.

*Profile finish, Matte Black or Mill

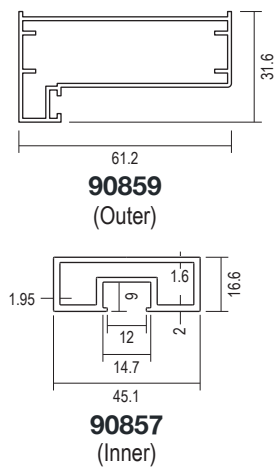
Bearing Pivot Kit



SE-SW-PV45
Bearing Pivot Kit

SE-SW-CB405
Corner Bracket

Slim Profile

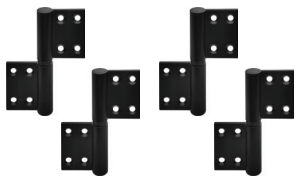


Slim Edge Swing Door Set

By Canter Design®

- Suitable for slim door frames
- Max weight capacity up to 80kg
- Smooth operation with ball-bearing pivot
- Compatible slim edge mount door lock
- For best visual and sleek design

Optional Hinge & Locks



MHG-105
Lift-Off Hinge



SE-SW-DGLH1
Slim Edge Digital
Lever Handle



SE-SW-L82K / L82P (L/R)
Slim Edge Solid Lever Handle Lockset
(Key / Privacy)



SE-SW-L60K / L60P
Slim Edge Lever Handle Lockset
(Key / Privacy)

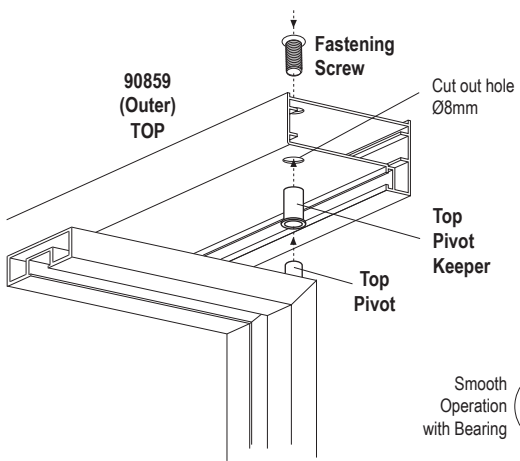
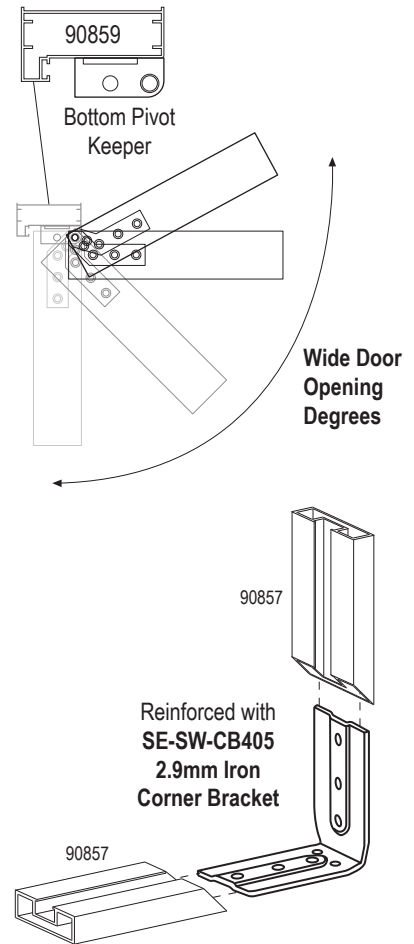
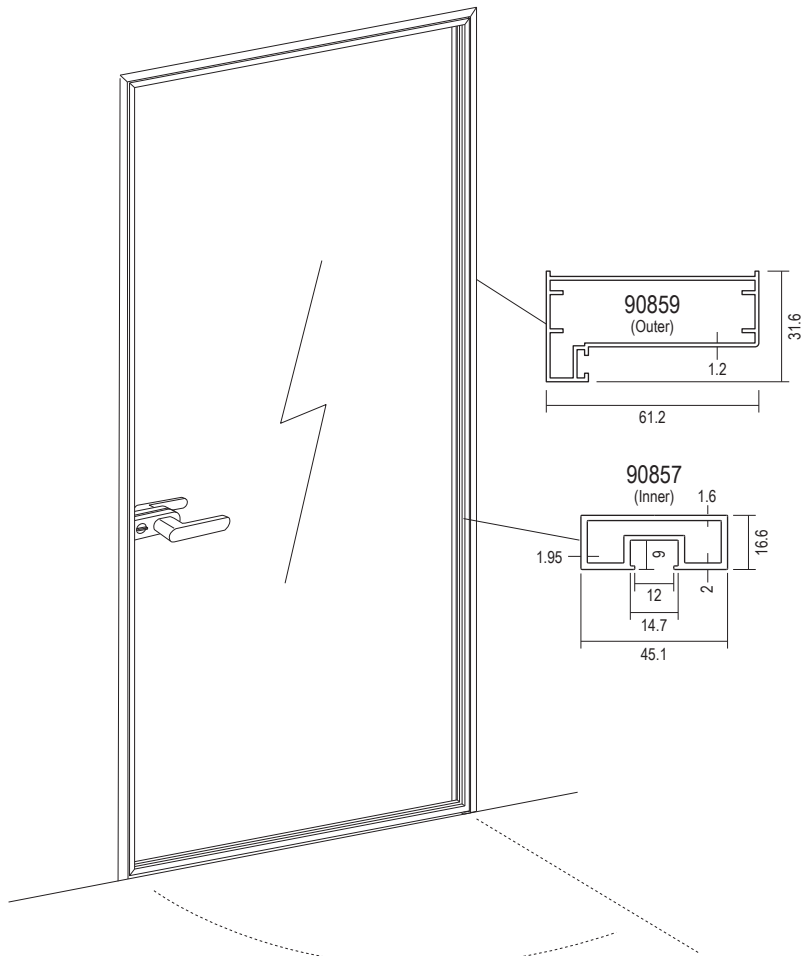


PROTEAM GLASS AND ALUMINIUM SDN BHD

No.68, Jalan TK 5/41, Taman Industrial Park 13KM,
Jalan Puchong, 47190 Puchong, Selangor D.E.,

Tel: **016-331 1643**

Swing Door Slim Edge Profile with SE-SW-PV (Pivot Kit) for Right or Left Opening (80kg Max. Door Weight)



***Important Note:**
The diagrams shown here represents for **Right** opening direction.

